

**ROTAX®**

# ILLUSTRATED PARTS CATALOGUE

**125 DD2 MAX EVO**



# ROTAX®

## MODELS:

125 DD2 MAX EVO

MODEL 36.0125.210

ETL1926

Copyright 2018 © ROTAX  
BRP-Rotax GmbH & Co. KG  
4623 Günskirchen, Austria  
This printed version is not subject to an updating service 02.02.2021  
7-148 7246 601 - 0  
www.rotax-kart.com

Follow us:



PAGE 2

## Table of Revision

CHANGE	DATE	CHAPTER	#	PART#	DESCRIPTION
--------	------	---------	---	-------	-------------

## Table of Content

CHAPTER	DESCRIPTION	PAGE
1	CRANKCASE. DRIVETRAIN. GEARBOX	4
2	CYLINDER	8
3	E-RAVE SYSTEM	12
4	CENTRIFUGAL CLUTCH. PRIMARY BALANCE DRIVE	16
5	SHIFTING MECHANISM. TRANSMISSION	20
6	ELECTRONIC COMPONENTS	24
7	BATTERY. BATTERY CHARGER	28
8	WIRING HARNESS	30
9	CARBURETTOR. CARBURETTOR ACCESSORIES	32
10	RADIATOR. RADIATOR ACCESSORIES	36
11	INTAKE SILENCER. AIR FILTER	38
12	EXHAUST SYSTEM	40
13	EVO UPGRADE KIT IGNITION	42
14	EVO UPGRADE KIT E-EXHAUST VALVE	46
15	REPAIR TOOLS	48
16	SCRUTINEERING TOOLS	50
17	REAR TIRE PROTECTION SYSTEM	52
18	ACCESSORIES	54
19	SERVICE PRODUCTS	56



# 1 CRANKCASE. DRIVETRAIN. GEARBOX

#	NEW	PART#	DESCRIPTION	QTY	CHANGE
1		684236	CRANK CASE ASSY. Ill.no. 1-2 For old and new paddle shift system	1	
2		632010	PIN 8X12 DIN 5402	2	
3		932030	BALL BEARING 6203 C3. 17-40-12	1	
4		932434	BALL BEARING 6204 - E - TVH C3	1	
5		620182	PRIMARY SHAFT 24/19 T	1	
6		630500	OIL SEAL ASL 50X68X8 NBR	2	
7		432330	B. BEARING 6010 C3 50-80-16	2	
8		620164	HOLLOW SHAFT	1	
9		233120	PLAIN BEARING 40X44X20	2	
10		257362	SHIFTING SLEEVE	1	
11		635703	IDLE GEAR 81 T 1. Gear	1	
12		632666	NEEDLE BEARING K 52X57X12	2	
13		635713	IDLE GEAR 77 T 2. Gear	1	
14		257405	SHIFT FORK ASSY.	1	
15		630522	GASKET	1	
16		250455	OIL SEAL 12X22X7	1	
17		257422	SHIFT RAIL DETENT PIN	1	
18		832533	BALL BEARING 6206 TVH C4M 30-62-16	2	
19		930695	OIL-SEAL AS 30X42X7/7.5 NBR	1	
20		685097	CRANKSHAFT ASSY. Ill.no. 20-21 Incl. Woddruff key	1	
21		246015	WOODRUFF KEY 3X5	1	
22		932027	NEEDLE CAGE K 15X19X20	1	
23	N	295509	PISTON ASSY. 53.92 MM Ill.no. 23-24 Smaller size	1	
23	N	295510	PISTON ASSY. 53.93 MM Ill.no. 23-24 Smaller size	1	
23		295511	PISTON ASSY. 53.94 MM Ill.no. 23-24 Standard	1	

# 1 CRANKCASE. DRIVETRAIN. GEARBOX

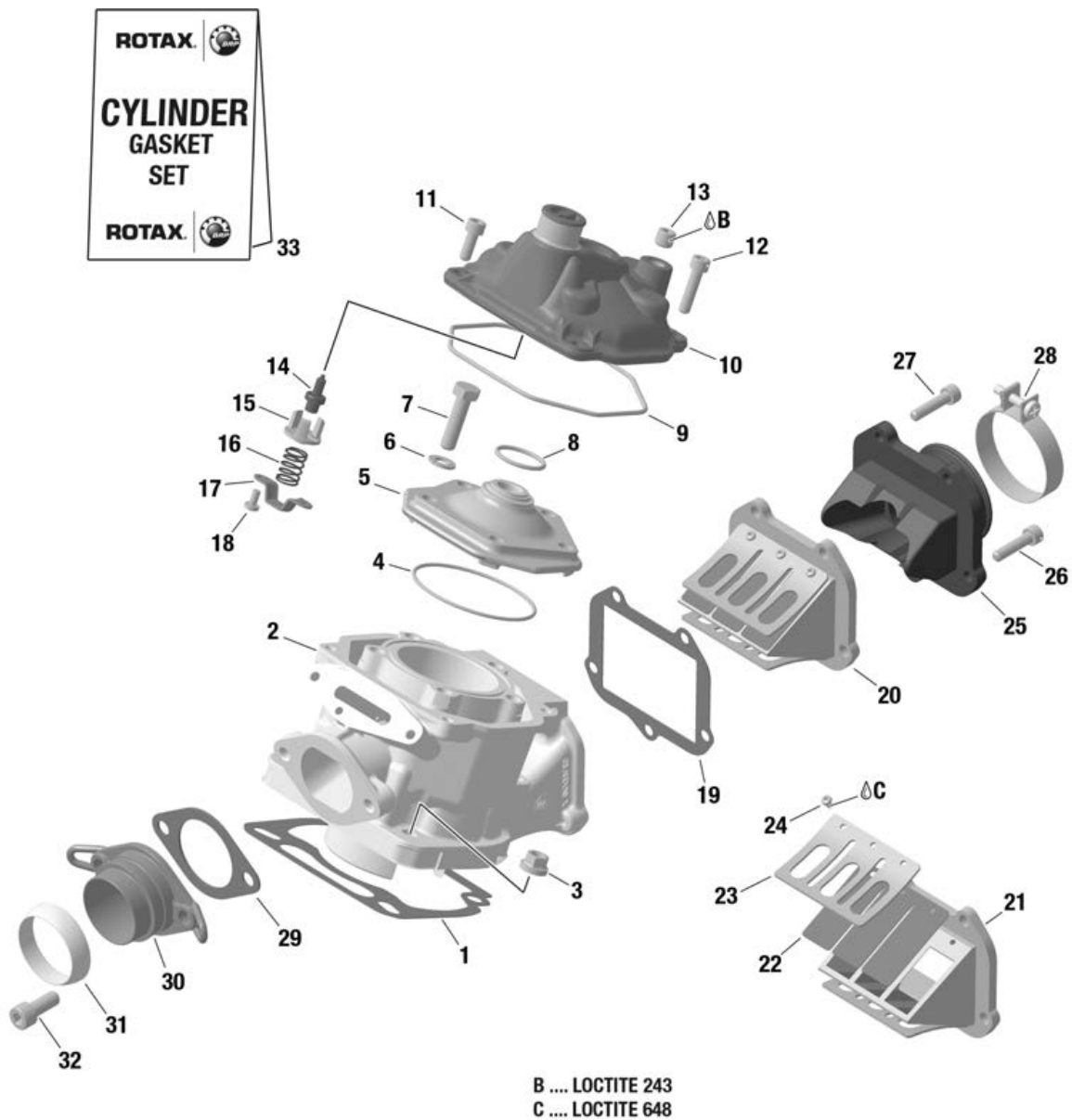
#	NEW	PART#	DESCRIPTION	QTY	CHANGE
23		295512	PISTON ASSY. 53.95 MM Ill.no. 23-24 Standard	1	
23		295513	PISTON ASSY. 53.96 MM Ill.no. 23-24 Standard	1	
23		295514	PISTON ASSY. 53.97 MM Ill.no. 23-24 Oversize	1	
23		295515	PISTON ASSY. 53.98 MM Ill.no. 23-24 Oversize	1	
24		215548	RECTANGULAR RING IS2-54/49.4X1	1	
25		216135	PISTON PIN 15X10/12.5X45.6	1	
26		945635	CIRCLIP 15 Use only once	2	
27		241823	ALLEN SCREW ISO 4762 - M6x45 - 8.8 Tightening torque 10 Nm	12	
28		241780	MAGNETIC DRAIN PLUG M12X1.5 Tightening torque 20 Nm	1	
29		250640	SEALING RING A 12X18-CU DIN 7603	1	
30		241925	AIR VENT SCREW M18X1.5	1	
31		250890	O-RING DIN 3771-17X1.5-N	1	
32		940787	STUD M8X57/20 Tightening torque 5 Nm	2	
33		241381	STUD M8X28/20 Tightening torque 5 Nm	1	
34		241386	STUD M8X28/20 Tightening torque 5 Nm With hole. for sealing the engine	1	
35		620275	WATERPUMP SHAFT ASSY. Ill.no. 35-37 Oil seals 230195 not included	1	
35		xxx	WATERPUMP SHAFT Tighting torque 4 Nm ATTENTION: Left hand thread	1	
36		xxx	IMPELLER	1	
37		229200	DOWEL 4X16	1	
38		230195	OIL SEAL A 10X26X7 NBR	2	
39		222720	WATER PUMP HOUSING	1	

# 1 CRANKCASE. DRIVETRAIN. GEARBOX

#	NEW	PART#	DESCRIPTION	QTY	CHANGE
40		630770	RUBBER RING 61.5X1.5X3.5	1	
41		941251	TAPTITE-SCREW M6X20 Tightening torque 7 Nm	4	
42		227945	THRUST WASHER 8.5/15/0.5	1	
43		294812	STARTER REDUCTION GEAR ASSY.	1	
44		924523	IMPULSE FITTING	1	
45		685011	CRANKSHAFT REPAIR KIT	1	
46		296162	GASKET SET ASSY. Oil seal (Chap. 03. Pos. 8) and exhaust gasket (Chap. 02. Pos. 31) not included	1	
47	N	227280	THRUST WASHER Recommended bearing fixation	1	
48	N	940316	COUNTERSUNK SCREW M5X12-5.8 Recommended bearing fixation	1	



## 2 CYLINDER



## 2 CYLINDER

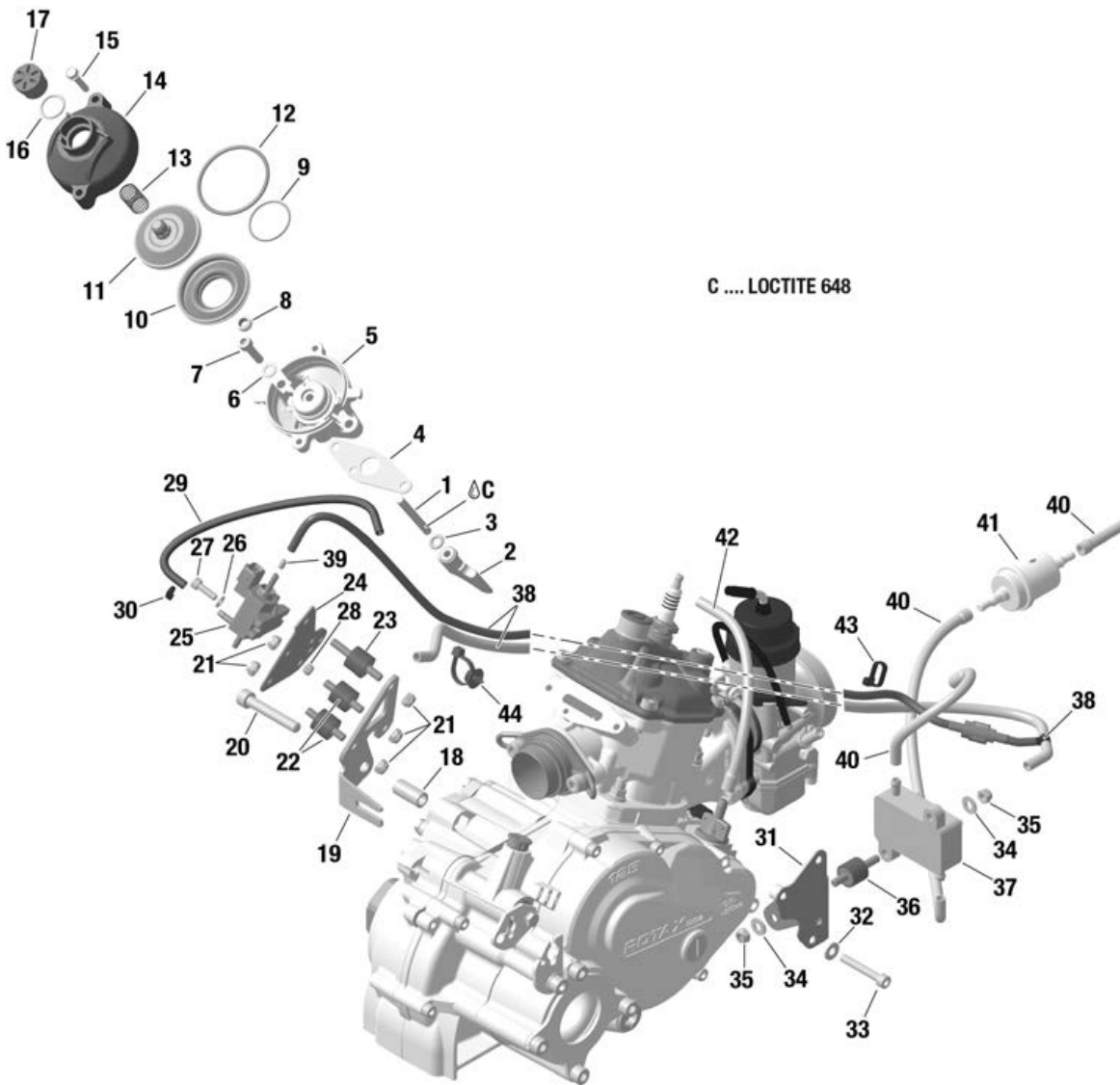
#	NEW	PART#	DESCRIPTION	QTY	CHANGE
1		650483	GASKET 0.4 MM	0.01	
1		650482	GASKET 0.8 MM	0.01	
1		650481	GASKET 0.5 MM	0.01	
1		650480	GASKET 0.3 MM	0.01	
1		431337	GASKET 0.2 MM Gasket for racing purpose only To ensure proper sealing please use Silicone Compound Grease 897061	0.01	
2		613932	CYLINDER NI SI C PLATED A: 54.000 - 54.010 mm AB: 54.010 - 54.015 mm B: 54.015 - 54.025 mm	1	
3		242707	COLLAR NUT M8 Tightening torque 24 Nm	4	
4		250160	O-RING 64X2	1	
5		223386	COMBUSTION CHAMBER INSERT	1	
6		945832	LOCK WASHER DIN 128-A8-FST	5	
7		940487	HEX.SCREW ISO 4017 - M8X30 - 10.9 Tightening torque 30 Nm	5	
8		430782	O-RING DIN 3771-23.3X2.4-N. MVQ 60	1	
9		250280	O-RING 105X2.5	1	
10		613104	CYLINDER HEAD COVER RED	1	
11		241237	ALLEN SCREW ISO 4762 - M6x16 - 8.8 Tightening torque 10 Nm	3	
12		641361	ALLEN SCREW M6X25 Tightening torque 10 Nm With hole. for sealing the engine	1	
13		641323	PLUG SCREW M10X1 DIN 906 - MK Tightening torque 10 Nm	1	
14		222125	THERMOSTAT. 45 DEGR.	1	
15		222175	THERMOSTAT HOLDER	1	
16		239950	COMPRESSION SPRING	1	
17		222202	THERMOSTAT RETAINING BRACKET	1	
18		240195	TAPTITE-SCREW M4X8 Tightening torque 3 Nm	2	
19		250521	GASKET	1	
20		224389	REED VALVE ASSY. Prod. 2019 Ill.no. 20-24	1	

## 2 CYLINDER

#	NEW	PART#	DESCRIPTION	QTY	CHANGE
20	N	224380	REED VALVE ASSY. Prod. 2020 Ill.no. 20-24	1	
21		xxx	REED VALVE Not available as spare part; Use Reed valve assy. 224389	1	
22		224431	REED PETAL	2	
23		xxx	REED PEDAL STOP	1	
24		240351	OVAL HEAD SCREW M3X6 DIN 7985 Tightening torque 1.5-2 Nm	6	
24	N	241035	TORX-TR-SCREW 3X6 - VIBRALOK Vibralok FOR REED BLOCK 224380 ONLY	1	
25		267411	INTAKE SOCKET	1	
26		641361	ALLEN SCREW M6X25 Tightening torque 7 Nm With hole. for sealing the engine	1	
27	N	840866	ALLEN SCREW ISO 4762 - M6x25 - 8.8 Tightening torque 7 Nm	4	
28		251850	HOSE CLAMP 51	1	
29		250271	GASKET	1	
30		273190	EXHAUST SOCKET	1	
31		450360	EXHAUST GASKET	1	
32		240072	ALLEN SCREW ISO 4762 - M8x20 - 8.8 Tightening torque 20 Nm	2	
33		296161	GASKET SET ASSY. CYLINDER Oil seal (Chap. 03. Pos. 8) and exhaust gasket (Chap. 02. Pos. 31) not included	1	



### 3 E-RAVE SYSTEM



### 3 E-RAVE SYSTEM

#	NEW	PART#	DESCRIPTION	QTY	CHANGE
1		441358	STUD M6X52.5 MK Tightening torque 10 Nm	1	
2		253725	EXHAUST VALVE	1	
3		230261	O-RING 6X2.5 NBR 70 RED	1	
4		250231	GASKET	1	
5		253385	VALVE ROD HOUSING KPL.	1	
6		845020	SPRING WASHER B6	2	
7		840866	ALLEN SCREW ISO 4762 - M6x25 - 8.8 Tightening torque 10 Nm	2	
8		930500	OIL SEAL 6X11X3/4.5	1	
9		838255	HOSE SPRING 70-1.7-0.3	1	
10		260723	BELLOW	1	
11		854440	EXHAUST VALVE PISTON Tightening torque 1-2 Nm	1	
12		939280	HOSE SPRING 134-3.0-0.65	1	
13		239952	COMPRESSION SPRING 48.5/0.8 MM	1	
14		911559	VALVE COVER	1	
15		241271	TAPTITE-SCREW M5X25	2	
16		430220	O-RING 15.9-2.3	1	
17		241220	ADJUSTMENT SCREW	1	
18		247980	DISTANCE SLEEVE 8.2/12/25.5	1	
19		651067	RETAINING PLATE	1	
20		841567	ALLEN SCREW ISO 4762 - M8X50 - 8.8 Tightening torque 24 Nm	1	
21		842041	LOCK NUT M6 - 6.6	5	
22		660522	RUBBER BUFFER 18X15XM6	2	
23		660520	RUBBER BUFFER 18X15XM6	1	
24		651925	MOUNTING PLATE	1	
25		664630	SOLENOID VALVE	1	
26		927574	WASHER 5.3 DIN 125	2	
27		840514	ALLEN SCREW ISO 4762 - M5x16 - 8.8	2	
28		842032	LOCK NUT M5-6.6	2	
29		660575	PRESSURE LINE 220 MM	1	
30		866718	TIE WRAP 94x2.5 MM	1	
31		xxx	RETAINING PLATE ASSY. See Chap. 4. Pos. 20	1	
32		xxx	WASHER 6.4 DIN 134 See Chap. 4. Pos. 21	2	

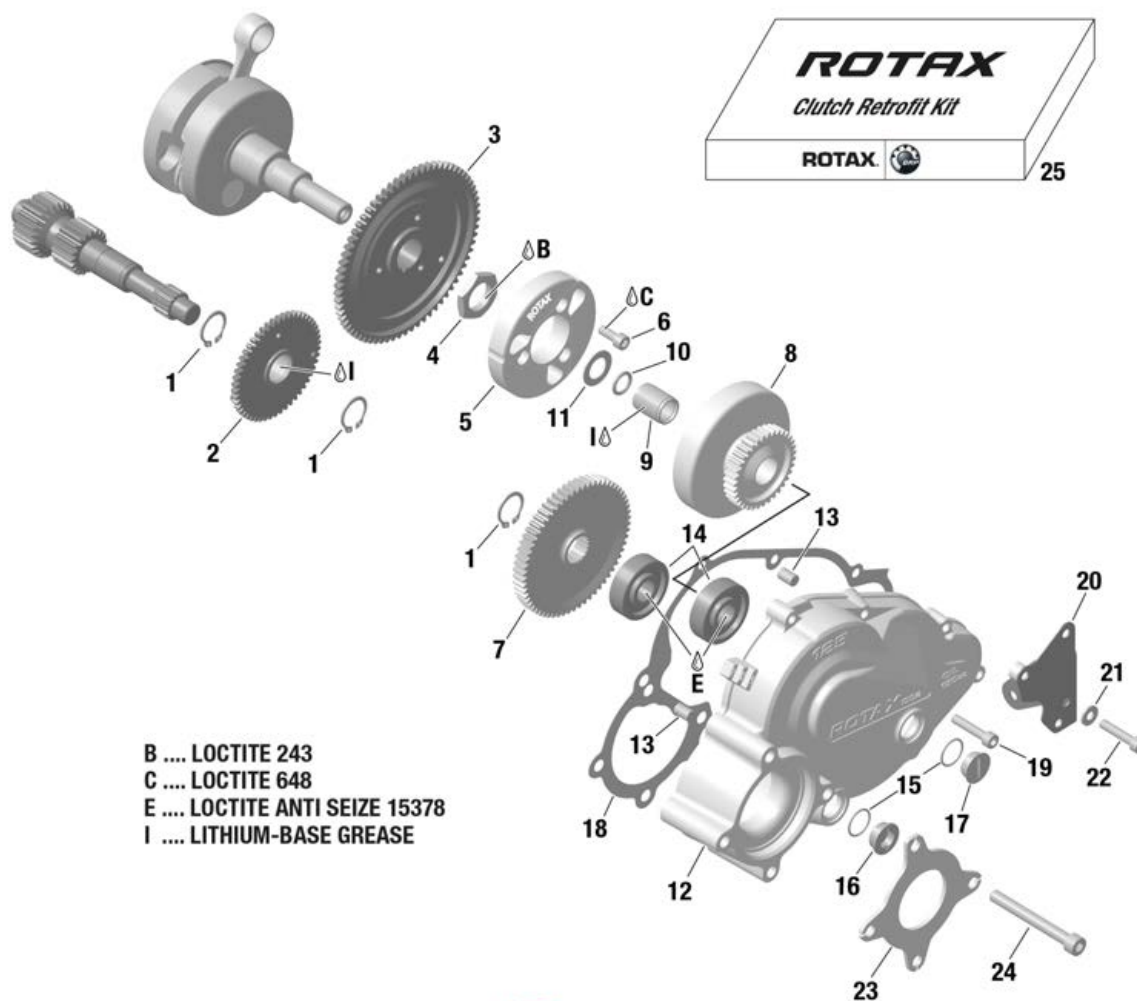
### 3 E-RAVE SYSTEM

#	NEW	PART#	DESCRIPTION	QTY	CHANGE
33		xxx	ALLEN SCREW M6x30 DIN 912 See Chap. 4. Pos. 22	2	
34		244211	WASHER 6.4 DIN 134	4	
35		842041	LOCK NUT M6 - 6.6	4	
36		660520	RUBBER BUFFER 18X15XM6	2	
37		994483	MIKUNI-FUEL PUMP	1	
38		651010	HOSE PACKAGE RAVE CONTROL UNIT Ill.no. 38-39	1	
40		xxx	HOSE A5x8/2500mm See Chap. 9. Pos. 50	1	
41		274161	FUEL FILTER WITH ROTAX PRINT	1	
42		xxx	HOSE A5x5/2500mm See Chap. 9. Pos. 50	1	
43		866714	TIE WRAP 142x3.2 MM	1	
44		951341	TIE WRAP WITH MOUNT 202X4.6	1	





# 4 CENTRIFUGAL CLUTCH. PRIMARY BALANCE DRIVE



- B .... LOCTITE 243
- C .... LOCTITE 648
- E .... LOCTITE ANTI SEIZE 15378
- I .... LITHIUM-BASE GREASE

## RECOMMENDED

XPS® KART TEC DD2 KART GEAR OIL  
 Part No: 25473    Contents: 1000 ml



## 4 CENTRIFUGAL CLUTCH. PRIMARY BALANCE

### DRIVE

#	NEW	PART#	DESCRIPTION	QTY	CHANGE
1		945664	RETAINING RING WITH LUG DIN 983-20X1.2	3	
2	N	635749	BALANCE GEAR 50 T ASSY. Reinforced configuration INSTALL IN COMBINATION WITH 434844 ONLY	1	
3	N	434844	STARTER GEAR 70 T ASSY. Reinforced configuration INSTALL IN COMBINATION WITH 635749 ONLY	1	
4		242873	HEX.NUT M22X1.5 H=6 Tightening torque 180 Nm	1	
5		659905	CLUTCH	1	
6		640901	ALLEN SCREW M6X16 DIN 912 Tightening torque 17 Nm	3	
7		435541	SECONDARY GEAR 65 T Optional	1	
7		435542	SECONDARY GEAR 64 T Optional	1	
7		435543	SECONDARY GEAR 63 T Optional	1	
7		435544	SECONDARY GEAR 62 T Standard	1	
7		435547	SECONDARY GEAR 59 T Optional Secondary Gear	1	
7		435545	SECONDARY GEAR 61 T Optional Secondary Gear	1	
7		435546	SECONDARY GEAR 60 T Optional	1	
8		659920	CLUTCH W. PRIMARY DRIVE GEAR 34T Optional	1	
8		659924	CLUTCH W. PRIMARY DRIVE GEAR 35T Standard	1	
8		659923	CLUTCH W. PRIMARY DRIVE GEAR 33T Optional	1	
8		659922	CLUTCH W. PRIMARY DRIVE GEAR 32T Optional	1	
8		659928	CLUTCH W. PRIMARY DRIVE GEAR 38T Optional	1	
8		659927	CLUTCH W. PRIMARY DRIVE GEAR 37T Optional	1	
8		659926	CLUTCH W. PRIMARY DRIVE GEAR 36T Optional	1	

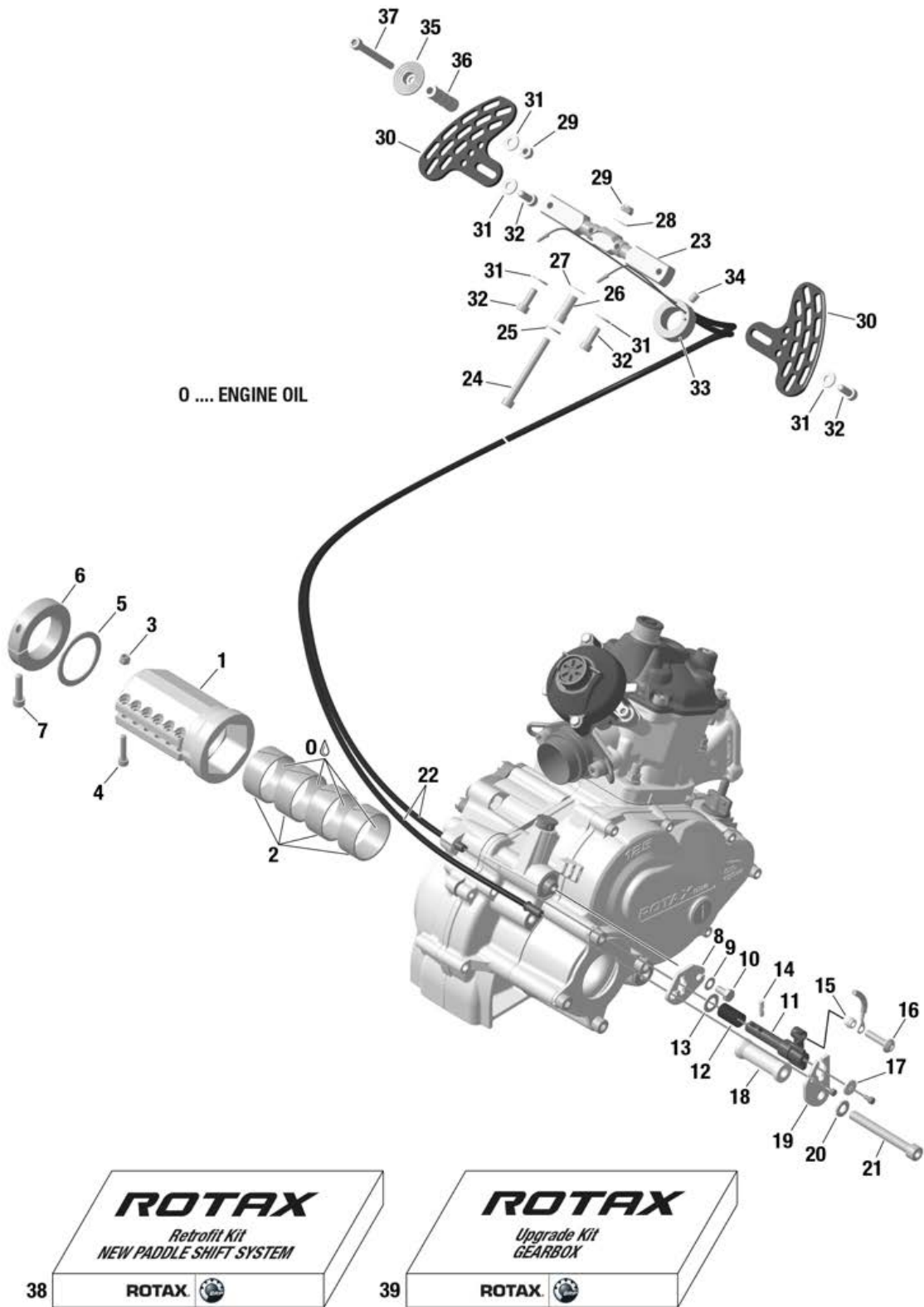
## 4 CENTRIFUGAL CLUTCH. PRIMARY BALANCE

### DRIVE

#	NEW	PART#	DESCRIPTION	QTY	CHANGE
9		632410	NEEDLE CAGE 15X19X24	1	
10		950815	O-RING DIN 3771-12X2.5-N. NBR 70	1	
11		927057	THRUST WASHER 15.2/25/1	1	
12		610643	CLUTCH COVER	1	
13		632010	PIN 8X12 DIN 5402	2	
14		232291	BALL BEARING 6302 TN9C3/15-42-13	2	
15		250890	O-RING DIN 3771-17X1.5-N	2	
16		240820	OIL LEVEL SCREW M18X1.5	1	
17		241800	PLUG SCREW M18X1.5	1	
18		630512	GASKET	1	
19		840888	ALLEN SCREW ISO 4762 - M6x30 - 8.8 Tightening torque 10 Nm	4	
20		651056	RETAINING PLATE ASSY.	1	
21		244211	WASHER 6.4 DIN 134	2	
22		241816	ALLEN SCREW M6X40 DIN 912 Tightening torque 10 Nm	2	
23		251335	SUPPORT PLATE	1	
24		841991	ALLEN SCREW M8X70 Tightening torque 22 Nm	4	
25		281723	RETROFIT KIT CLUTCH 125 MAX DD2	1	



# 5 SHIFTING MECHANISM. TRANSMISSION



## 5 SHIFTING MECHANISM. TRANSMISSION

#	NEW	PART#	DESCRIPTION	QTY	CHANGE
1		281870	COUPLING FLANGE SET Ill.no. 1-4	1	
1		xxx	COUPLING FLANGE	1	
2		233120	PLAIN BEARING 40X44X20	4	
3		942025	LOCK NUT DIN-982 M5-8	6	
4		940882	ALLEN SCREW ISO 4762 - M5x30 - 8.8	6	
5		427280	THRUSTWASHER 40/50/1.5	1	
6		251740	CLAMPING RING	1	
7		840866	ALLEN SCREW ISO 4762 - M6x25 - 8.8 Tightening torque 10 Nm	1	
8		251406	RETAINING PLATE	1	
9		845020	SPRING WASHER B6	1	
10		240382	HEX. SCREW ISO 4017 - M6X12 - 8.8 Tightening torque 10 Nm	1	
11		660538	SHIFT CONTACT ASSY. Ill.no. 11-14	1	
12		xxx	COMPRESSION SPRING Dm11.3 D1.4 L59.0	1	
13		xxx	THRUST WASHER	1	
14		xxx	LOCATING PIN	1	
15		974531	FUEL TUBE 8 MM	1	
16		940431	PLASTITE SCREW 6X25	1	
17		626770	WASHER 3.8/14/2	1	
18		847482	SPACER	1	
19		251521	SHIFT CONTACT GUIDANCE	1	
20		945832	LOCK WASHER DIN 128-A8-FST	1	
21		841991	ALLEN SCREW M8X70 Tightening torque 22 Nm	1	
22		297134	CABLE BOWDEN ASSY.	1	
23		257990	CONTROL WHIP	1	
24		240373	ALLEN SCREW ISO 4762 - M6x60 - 8.8	1	
25		244211	WASHER 6.4 DIN 134	1	
26		247440	SPACER	1	
27		227945	THRUST WASHER 8.5/15/0.5	1	
28		845020	SPRING WASHER B6	1	
29		842041	LOCK NUT M6 - 6.6	1	
30		657010	CONTROL LEVER	2	
31		244211	WASHER 6.4 DIN 134	4	

## 5 SHIFTING MECHANISM. TRANSMISSION

#	NEW	PART#	DESCRIPTION	QTY	CHANGE
32		241237	ALLEN SCREW ISO 4762 - M6x16 - 8.8	4	
33		651510	CABLE SUPPORT	1	
34		841771	SET SCREW M6X8	1	
35		657030	THRUST WASHER Optional	0.01	
36		647190	SPACER Optional	0.01	
37		240373	ALLEN SCREW ISO 4762 - M6x60 - 8.8 Optional	0.01	
38		281850	RETROFIT KIT PADDLE SHIFT S. 125 MAX DD2 DD2	1	
39		281855	RETROFIT KIT GEARBOX 125 MAX DD2	1	







## 6 ELECTRONIC COMPONENTS

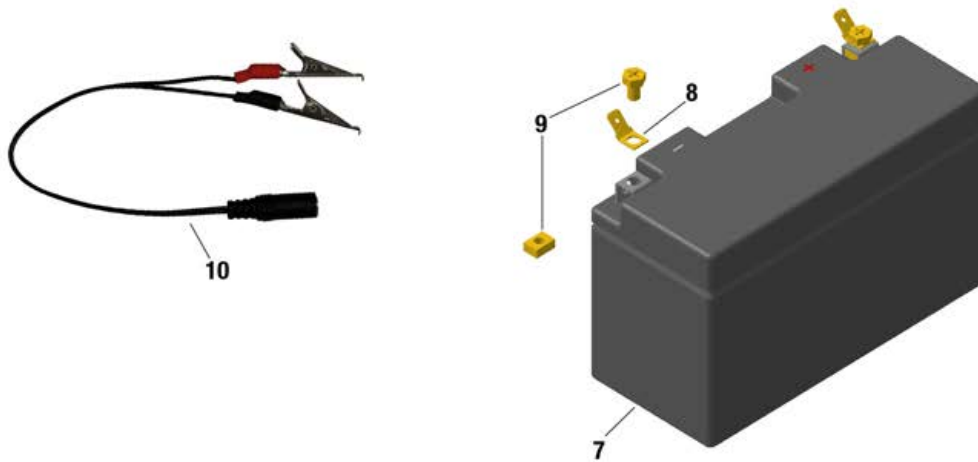
#	NEW	PART#	DESCRIPTION	QTY	CHANGE
1		265560	PICK UP SENSOR Incl. rubber ring; rubber ring not available separately	1	
2		251531	PROTECTION SHIELD	1	
3		840866	ALLEN SCREW ISO 4762 - M6x25 - 8.8 Tightening torque 10 Nm	2	
4		294805	ELECTRIC STARTER ASSY. Ill.no. 4-8	1	
5		xxx	O-RING Included in repair kit E-starter 281262	1	
6		265532	CABLE ASSY.	1	
7		651940	CABLE CLAMP	1	
8		xxx	SCREW M3x8 Included in repair kit E-starter 281262	2	
9		281262	REPAIR KIT (ELECTRIC STARTER) 2 x SCREW M3x8 2 x COMPRESSION SPRING 1 x CARBON BRUSH LEFT 1 x CARBON BRUSH RIGHT 1 x O-RING	1	
10		840888	ALLEN SCREW ISO 4762 - M6x30 - 8.8 Tightening torque 10 Nm	2	
11		666825	IGNITION COIL Ill.no. 11-12 With spark plug cap 866708 (black)	1	
11		666826	IGNITION COIL Ill.no. 11-12 With spark plug cap 866707 (red)	1	
12		866707	SPARK PLUG CONNECTOR Standard (red). short cap	1	
12		866708	SPARK PLUG CONNECTOR Optional (black)	1	
13		298102	SPARK PLUG NGK GR8DI 125 MAX evo serial production	1	
13		298103	SPARK PLUG NGK GR9DI Optional	1	
14		244211	WASHER 6.4 DIN 134	1	
15		842041	LOCK NUT M6 - 6.6	1	
16	N	251129	BATTERY CLAMP With additional p-clamp mounting	1	
17		842680	SHEET NUT M5	2	

## 6 ELECTRONIC COMPONENTS

#	NEW	PART#	DESCRIPTION	QTY	CHANGE
18		992819	STARTER RELAY ASSY.	1	
19		640542	ALLEN SCREW ISO 4762 - M5x12 - 8.8	2	
20		842041	LOCK NUT M6 - 6.6	2	
21		666816	ELECTRONIC BOX DD2	1	
22		201900	RUBBER PAD	1	
23		242141	SHEET NUT M6	1	
24		251254	PIPE CLAMP SET Ill.no. 24-25 For tube diameter 32 mm only	2	
25		251360	PIPE CLAMP	1	
26		264854	MULTIPLE FUNCTION SWITCH	1	
27		660767	RUBBER PAD	1	
28		265516	BATTERY 12 V-6.5Ah UNFILLED RTX cannot be ordered via airfreight	1	
29		481380	BATTERY FIXATION KIT	1	
30		864950	FLAT CONNECTOR	2	
31		201602	BATTERY COVER	1	
32		831929	O-RING 5X2	1	
33		440761	ALLEN SCREW W. ROUNDED FLANGE HEAD M6X20	1	
34		431500	GASKET Use for crank cases with non-machined pick-up sensor flange (before crank case 295915)	1	
35	N	851492	CABLE CLAMP 15/M6 For attachment of the wiring harness to the battery holder	1	
36		241081	ALLEN SCREW M6X10 DIN 912 For attachment of the wiring harness to the battery holder	1	



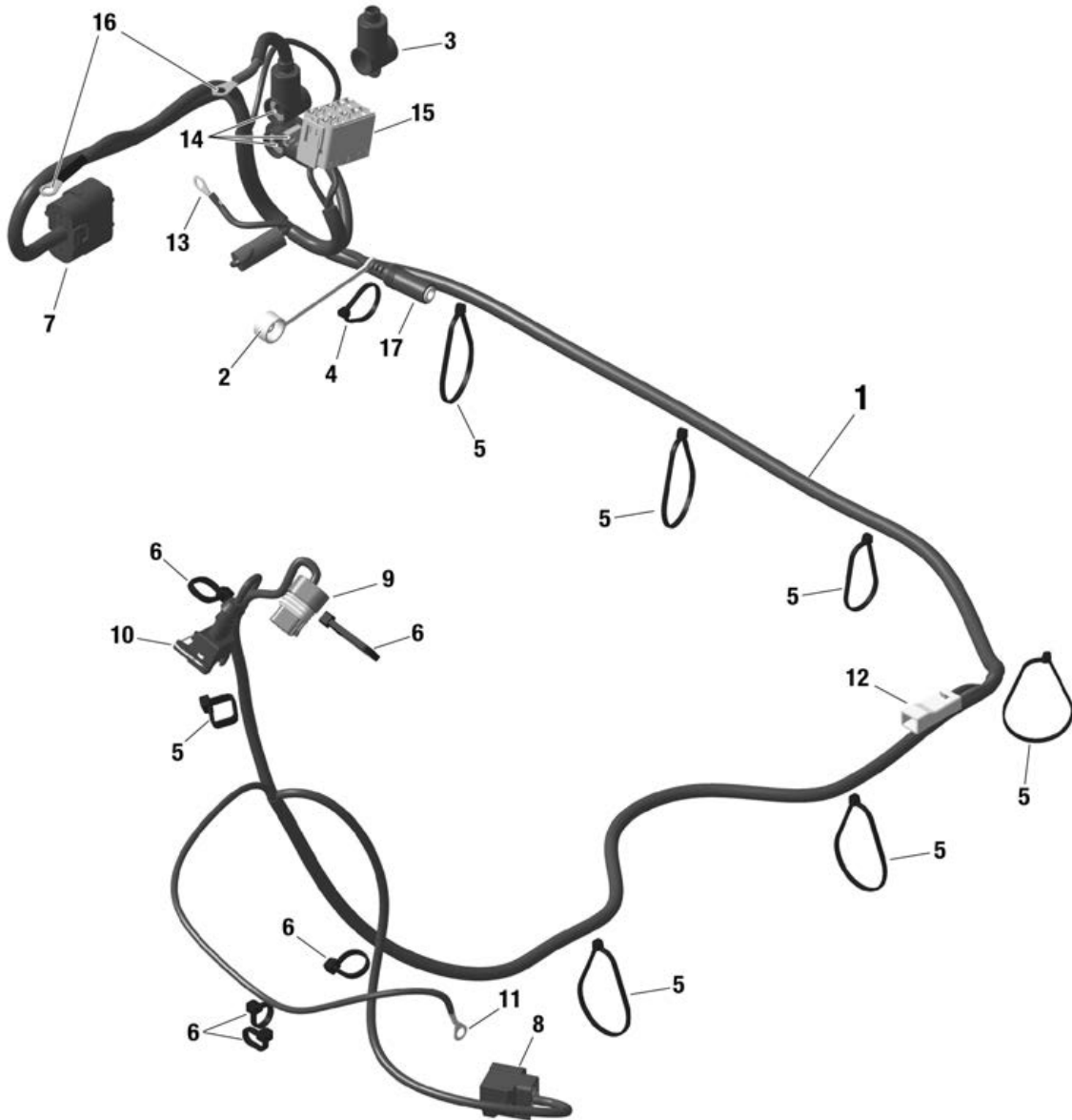
## 7 BATTERY. BATTERY CHARGER



## 7 BATTERY. BATTERY CHARGER

#	NEW	PART#	DESCRIPTION	QTY	CHANGE
1		265148	BATTERY CHARGER	1	
2		266018	ADAPTER-ROW	1	
3		266010	ADAPTER-EURO	1	
4		266012	ADAPTER-UK	1	
5		266014	ADAPTER-USA	1	
6		266016	ADAPTER-AUSTRALIA	1	
7		265516	BATTERY 12 V-6.5Ah UNFILLED RTX YUASA-ROTAX Not available via airfreight	1	
8		864950	FLAT CONNECTOR	2	
9		481380	BATTERY FIXATION KIT	1	
10		266022	CONNECTOR CABLE FOR BATTERY CHARGER 125	1	
11		581320	BATTERYCHARGER ACTIVIA EASY 1202	1	
12		265030	BATTERY LITHIUM TYPE 12V-2.3/2.5Ah Not available via airfreight	1	
13		581325	BATTERY CHARGER OPTIMATE LITHIUM EU connector only Must not be used in Japan	1	

# 8 WIRING HARNESS

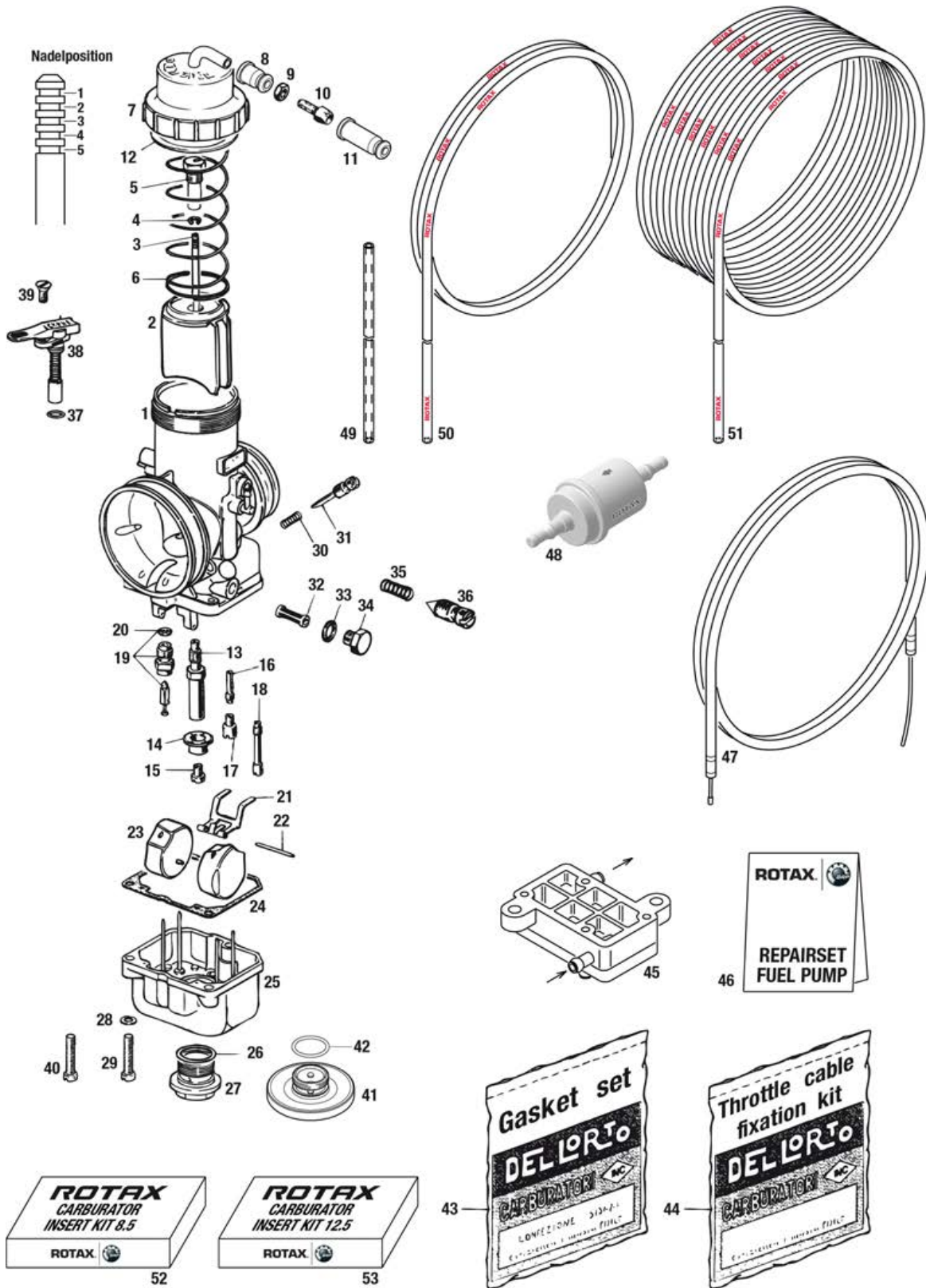


## 8 WIRING HARNESS

#	NEW	PART#	DESCRIPTION	QTY	CHANGE
1	N	666836	WIRING HARNESS	1	
2		666902	CHARGING PLUG CAP	1	
3		666904	RELAY CAP	2	
4		866718	TIE WRAP 94x2.5 MM	2	
5		651397	TIE WRAP 250X4.8 MM	6	
6		866714	TIE WRAP 142x3.2 MM	5	
7		xxx	CONNECTOR ECU	1	
8		xxx	CONNECTOR PICK UP SENSOR	1	
9		xxx	CONNECTOR IGNITION COIL	1	
10		xxx	CONNECTOR RAVE	1	
11		xxx	CONNECTOR SHIFT CONTACT For 125 MAX DD2 only	1	
12		xxx	CONNECTOR STARTER	1	
13		xxx	CONNECTOR GROUND	1	
14		xxx	CONNECTOR STARTER RELAY	3	
15		xxx	CONNECTOR MULTIPLE FUNCTION SWITCH	1	
16		xxx	CONNECTOR BATTERY	2	
17		xxx	CONNECTOR BATTERY CHARGER	1	



# 9 CARBURETTOR. CARBURETTOR ACCESSORIES



## 9 CARBURETTOR. CARBURETTOR ACCESSORIES

#	NEW	PART#	DESCRIPTION	QTY	CHANGE
1		295062	DELL'ORTO CARBURETOR VHSB 34 XS DD2 Jetting "R 09808". Main jet 145	1	
2		262031	CARBURATOR SLIDE 45 Standard	1	
3		261192	JET NEEDLE K 57 Standard	1	
4		245630	CLIP	1	
5		261270	NIPPLE SCREW	1	
6		239885	THROTTLE VALVE SPRING	1	
7		261427	CARBURETOR COVER WITH BENT TUBE ASSY.	1	
8		xxx	RUBBER GROMMET SMALL Use throttle cable fixation kit 268040	1	
9		xxx	HEX.NUT M6x0.75 Use throttle cable fixation kit 268040	1	
10		xxx	ADJUSTMENT SCREW M6x0.75 Use throttle cable fixation kit 268040	1	
11		xxx	RUBBER GROMMET BIG Use throttle cable fixation kit 268040	1	
12		xxx	GASKET Use gasket kit 293834	1	
13		262042	NEEDLE JET DP 267 Standard	1	
14		261550	MAIN JET CUP	1	
15	N	282990	MAIN JET KIT 128 - 138 Recommended for DD2 category	1	
15		281478	MAIN JET KIT 105 - 115	1	
15		281476	MAIN JET KIT 115-118-120-122-125-128-130	1	
15		281474	MAIN JET KIT 190-192-195-198-200	1	
15		281473	MAIN JET KIT 132-135-138-140-142	1	
15		281472	MAIN JET KIT 175-178-180-182-185-188	1	
15		281471	MAIN JET KIT 145-148-150-152-155-158	1	
15		281470	MAIN JET KIT 160-162-165-168-170-172	1	
16		281885	IDLE JET INSERT SET Optional	1	
17		281882	IDLE JET KIT 30-35-40-45-50-55-60 Optional	1	
18		261895	STARTING JET 60 Standard	1	

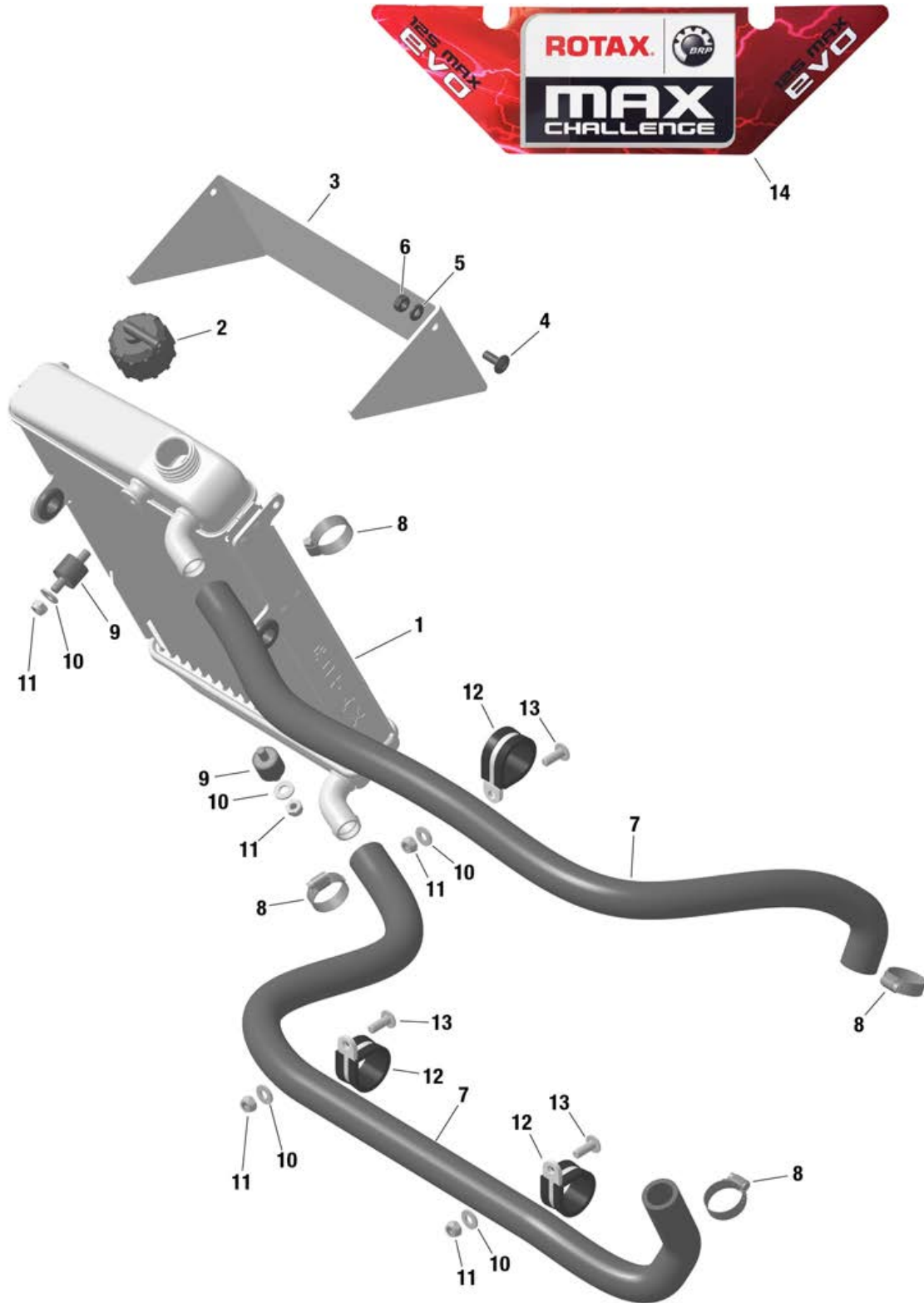
## 9 CARBURETTOR. CARBURETTOR ACCESSORIES

#	NEW	PART#	DESCRIPTION	QTY	CHANGE
19		261881	NEEDLE VALVE 200 Optional	1	
19		261880	NEEDLE VALVE 150 Standard	1	
20		xxx	GASKET Use gasket kit 293834	1	
21		261290	FLOAT BRACKET	1	
22		229271	FLOAT PIN	1	
23		268032	FLOAT 4.0 GR. Standard	2	
23		268031	FLOAT 3.6 GR. Optional	2	
23		268030	FLOAT 5.2 GR. Optional	2	
24		xxx	GASKET Use gasket kit 293834	1	
25		xxx	FLOAT CHAMBER Not available as spare part	1	
26		xxx	GASKET Use gasket kit 293834	1	
27		261373	PLUG SCREW Standard	1	
28		845312	LOCK WASHER VHZ 5	3	
29		262020	ALLEN SCREW M5X20	2	
30		268044	ADJUSTMENT SCREW KIT Ill.no. 30-31	1	
30		xxx	COMPRESSION SPRING	1	
31		xxx	ADJUSTMENT SCREW	1	
32		268042	FUEL SIEVE KIT Ill.no. 32-34	1	
32		xxx	FUEL FILTER optional	1	
33		xxx	GASKET	1	
34		xxx	PLUG SCREW	1	
35		xxx	COMPRESSION SPRING Not available as spare part	1	
36		xxx	ADJUSTMENT SCREW Not available as spare part	1	
37		xxx	GASKET Use gasket kit 293834	1	

## 9 CARBURETTOR. CARBURETTOR ACCESSORIES

#	NEW	PART#	DESCRIPTION	QTY	CHANGE
38		261915	CHOKE LEVER ASSY.	1	
39		240505	COUNTERSUNK SCREW M4.5X10	1	
40		240184	ALLEN SCREW M5X20 Screw with hole for sealing	1	
41		261030	CARBURETOR PLUG SCREW Optional	1	
42		230890	O RING 17-2.5	1	
43		293834	GASKET SET For carburettor	1	
44		268040	THROTTLE CABLE FIXATION KIT	1	
45		994483	MIKUNI-FUEL PUMP	1	
46		296165	GASKET SET FUEL PUMP	1	
47		297122	CABLE BOWDEN ASSY. THROTTLE For carburettor	1	
48		274161	FUEL FILTER WITH ROTAX PRINT	1	
49		260260	AIR VENT HOSE 180 MM	1	
50		974529	TUBE A5X8/2500 MM	1	
51		570910	TUBE 5X8 MM / 50M ROLL ROTAX PRINTED Optional	1	
52		281820	CARBURETOR INSERT KIT 12.5 Standard	1	

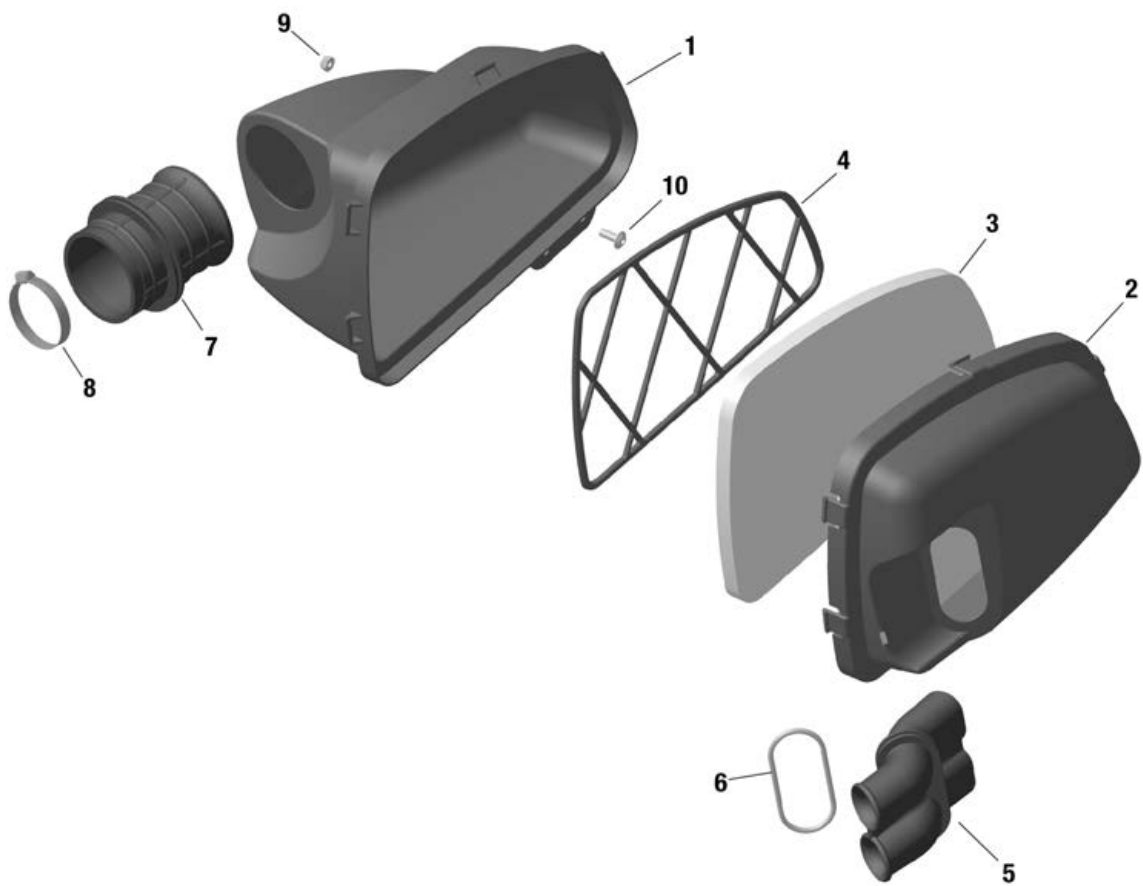
# 10 RADIATOR. RADIATOR ACCESSORIES



## 10 RADIATOR. RADIATOR ACCESSORIES

#	NEW	PART#	DESCRIPTION	QTY	CHANGE
1		295926	RADIATOR WITH CAP ASSY. Ill.no. 1-6	1	
2		222750	RADIATOR CAP WITH GASKET 1.0 BAR	1	
3		201224	RADIATOR FLAP DD2	1	
4		440751	ALLEN SCREW W. ROUNDED FLANGE HEAD M6X16	2	
5		244211	WASHER 6.4 DIN 134	2	
6		842041	LOCK NUT M6 - 6.6	2	
7		222742	COOLING-WATER HOSE NW 18	2	
8		951870	CLAMP 16-25	4	
9		660522	RUBBER BUFFER 18X15XM6	3	
10		244211	WASHER 6.4 DIN 134	6	
11		842041	LOCK NUT M6 - 6.6	6	
12		251430	CABLE CLAMP 26/M6	3	
13		440751	ALLEN SCREW W. ROUNDED FLANGE HEAD M6X16	3	
14	N	582923	RADIATOR STICKER 125 MAX DD2 EVO	1	

# 11 INTAKE SILENCER. AIR FILTER

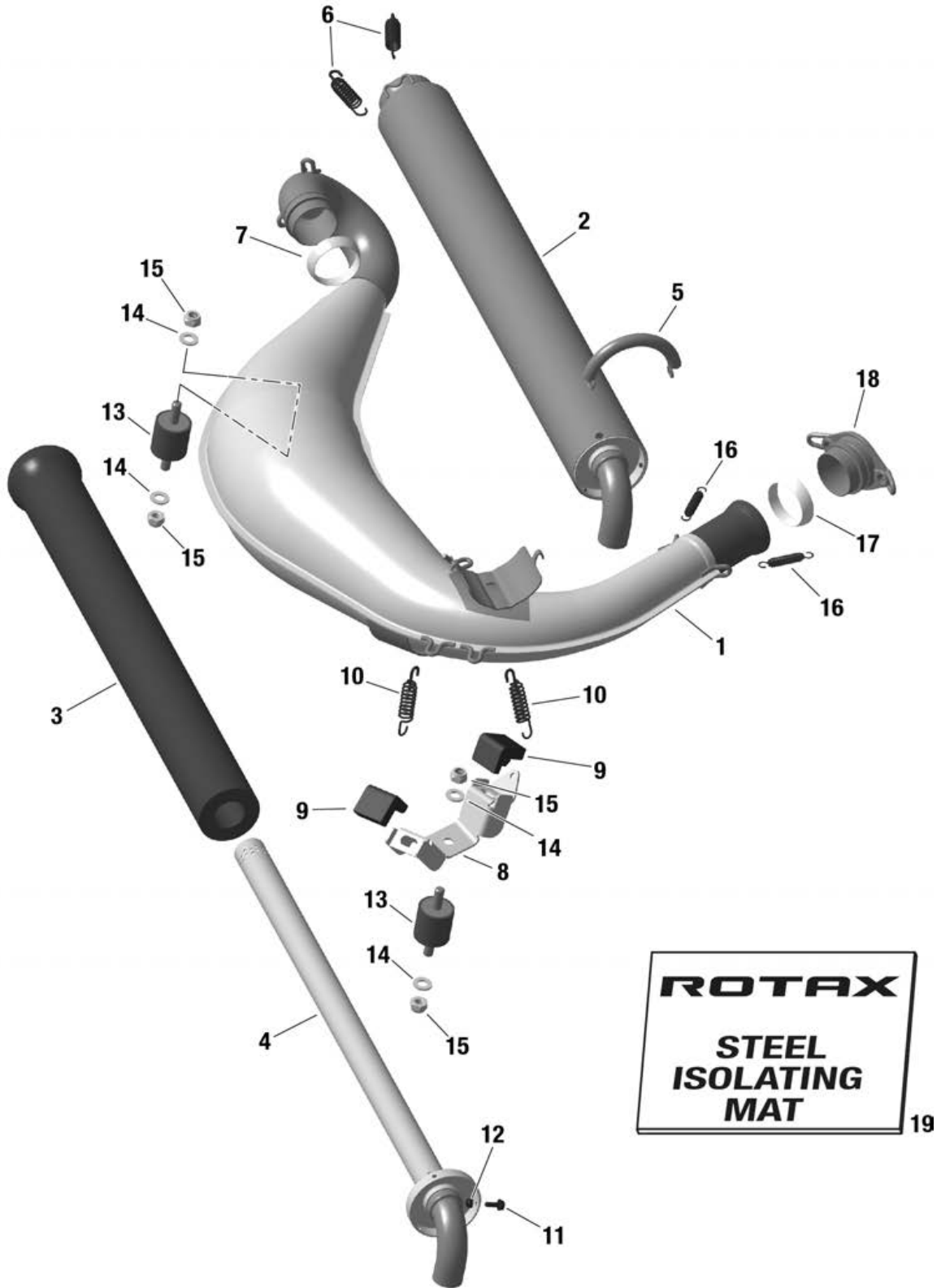


## 11 INTAKE SILENCER. AIR FILTER

#	NEW	PART#	DESCRIPTION	QTY	CHANGE
1		225013	INTAKE SILENCER CASE	1	
2		225023	INTAKE SILENCER COVER	1	
3		225054	FILTER ELEMENT	1	
4		225062	HOLDER FOR FILTER ELEMENT	1	
5		225041	INTAKE SILENCER TUBE	1	
6		650500	O-RING DIN 3771-59.52X2.62-N. NBR 70 O-Ring is only necessary for old airbox(225012 and 225022)	1	
7		225031	CARBURETOR SOCKET	1	
8		951791	CLAMP 50-70	1	
9		842041	LOCK NUT M6 - 6.6	1	
10		440751	ALLEN SCREW W. ROUNDED FLANGE HEAD M6X16	1	



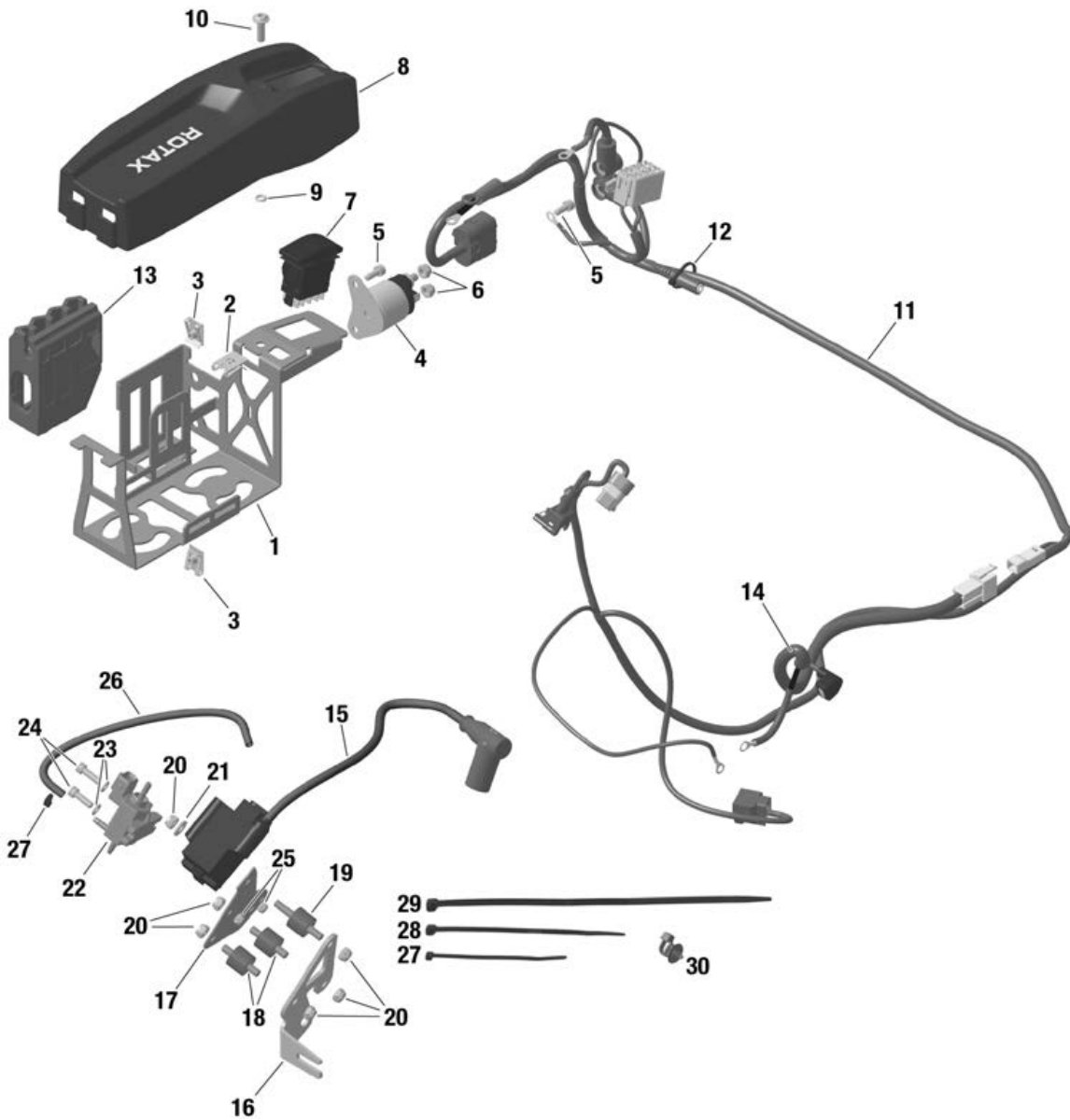
# 12 EXHAUST SYSTEM



## 12 EXHAUST SYSTEM

#	NEW	PART#	DESCRIPTION	QTY	CHANGE
1		273180	EXHAUST SYSTEM 125 MAX DD2 EVO Ill.no. 1-7	1	
1		273185	EXHAUST MUFFLER ASSY. 125 MAX DD2 EVO	1	
2		273220	SILENCER ASSY. Ill.no. 2-4	1	
3		297982	ISOLATING MAT	1	
4		273210	PERFORATED TUBE ASSY.	1	
5		238945	TENSION SPRING	2	
6		938798	SPRING STAINLESS	2	
7		450360	EXHAUST GASKET	1	
8		651075	RETAINING PLATE	1	
9		201720	RUBBER BUFFER	2	
10		938798	SPRING STAINLESS	2	
11		440291	ALLEN SCREW M4X12 DIN 912 As replacement for rivets in case of repair	3	
12		242533	LOCK NUT ISO 7042 - M4 - A2-70 As replacement for rivets in case of repair	3	
13		660920	RUBBER BUFFER 30X30XM8	2	
14		250313	WASHER 8.4 STAINLESS STEEL	4	
15		942031	LOCK NUT DIN 985-M8-8.8	4	
16		938798	SPRING STAINLESS	2	
17		450360	EXHAUST GASKET	1	
18		xxx	EXHAUST SOCKET ASSY See Chap. 2. Pos. 30	1	
19		297983	ISOLATING MAT STEEL WITH TIE WRAP	0.01	

# 13 EVO UPGRADE KIT IGNITION



### 13 EVO UPGRADE KIT IGNITION

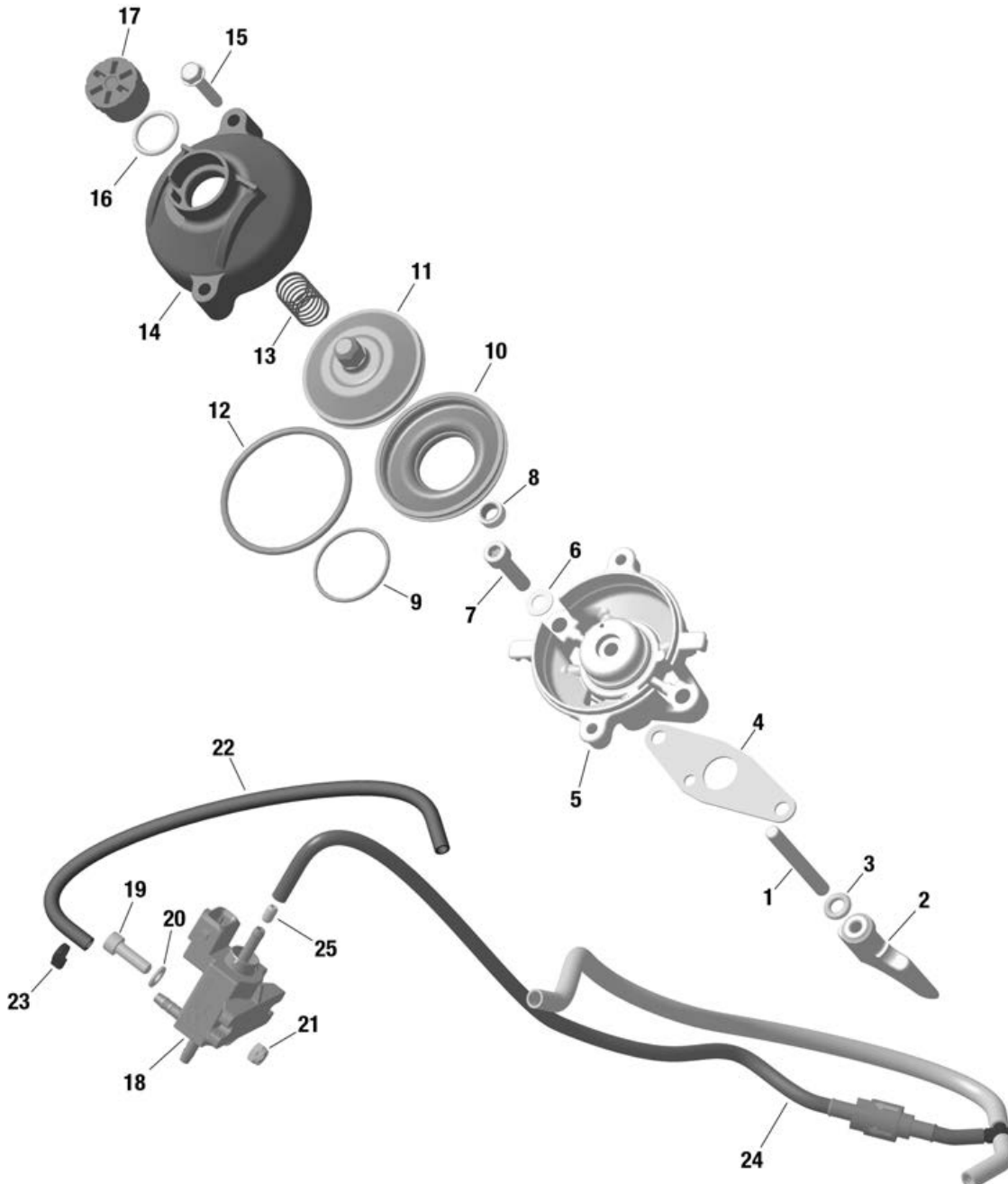
#	NEW	PART#	DESCRIPTION	QTY	CHANGE
1		251124	BATTERY CLAMP EVO ASSY. Ill. no. 1-13	1	
1		xxx	BATTERY CLAMP See Chapter 06 Pos. 16	1	
2		xxx	SHEET NUT M6 See Chapter 06 Pos. 23	1	
3		xxx	SHEET NUT M5 See Chapter 06 Pos. 17	1	
4		xxx	STARTER RELAY ASSY. See Chapter 06 Pos. 18	1	
5		xxx	ALLEN SCREW ISO 4762 See Chapter 06 Pos. 19	1	
6		xxx	LOCK NUT M6 See Chapter 06 Pos. 20	1	
7		xxx	MULTIPLE FUNCTION SWITCH See Chapter 06 Pos. 26	1	
8		xxx	BATTERY COVER See Chapter 06 Pos. 31	1	
9		xxx	O-RING 5x2 See Chapter 06 Pos. 32	1	
10		xxx	ALLEN SCREW M6X20 See Chapter 06 Pos. 33	1	
11		xxx	WIRING HARNESS See Chapter 08 Pos. 01	1	
12		xxx	TIE WRAP 94x2.5 See Chapter 08 Pos. 04	1	
13		xxx	RUBBER PAD See Chapter 06 Pos. 22	1	
14		265532	CABLE ASSY.	1	
15		666826	IGNITION COIL With spark plug cap 866707 (red)	1	
15		666825	IGNITION COIL With spark plug cap 866708 (black)	1	
16		651067	RETAINING PLATE	1	
17		651925	MOUNTING PLATE	1	
18		660522	RUBBER BUFFER 18X15XM6	2	
19		660520	RUBBER BUFFER 18X15XM6	1	
20		842041	LOCK NUT M6 - 6.6	6	
21		244211	WASHER 6.4 DIN 134	1	

### 13 EVO UPGRADE KIT IGNITION

#	NEW	PART#	DESCRIPTION	QTY	CHANGE
22		xxx	Included in kit 481260 Ill. no. 22-27	1	
27		866718	TIE WRAP 94x2.5 MM	1	
28		866714	TIE WRAP 142x3.2 MM	1	
29		651397	TIE WRAP 250X4.8 MM	1	
30		951341	TIE WRAP WITH MOUNT 202X4.6	1	



# 14 EVO UPGRADE KIT E-EXHAUST VALVE

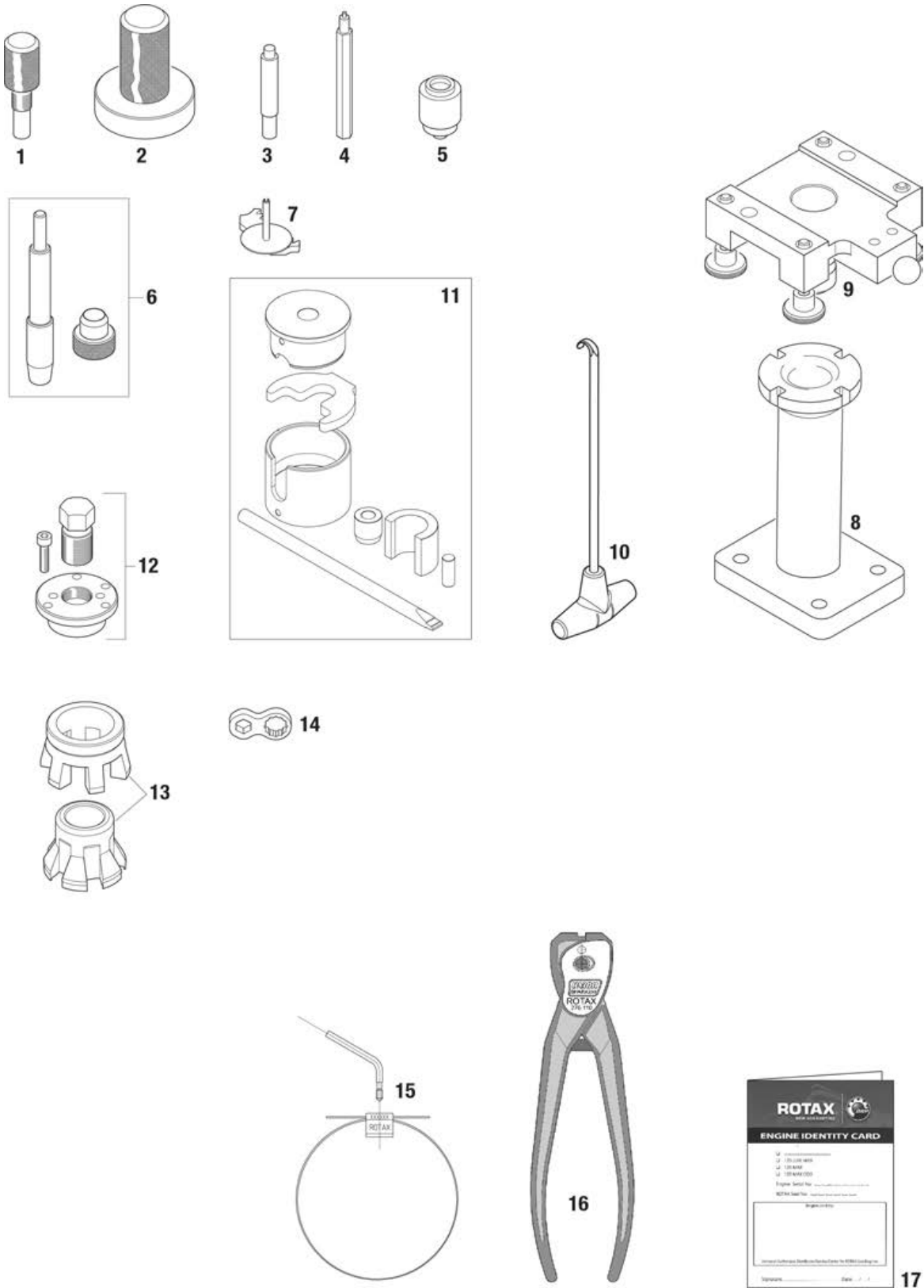


## 14 EVO UPGRADE KIT E-EXHAUST VALVE

#	NEW	PART#	DESCRIPTION	QTY	CHANGE
1		441358	STUD M6X52.5 MK	1	
1		481260	EVO UPGRADE KIT E-EXHAUST VALVE Ill.no. 1-25	1	
2		253725	EXHAUST VALVE	1	
3		230261	O-RING 6X2.5 NBR 70 RED	1	
4		250231	GASKET	1	
5		253385	VALVE ROD HOUSING KPL.	1	
6		845020	SPRING WASHER B6	2	
7		840866	ALLEN SCREW ISO 4762 - M6x25 - 8.8	2	
8		930500	OIL SEAL 6X11X3/4.5	1	
9		838255	HOSE SPRING 70-1.7-0.3	1	
10		260723	BELLOW	1	
11		854440	EXHAUST VALVE PISTON	1	
12		939280	HOSE SPRING 134-3.0-0.65	1	
13		239952	COMPRESSION SPRING 48.5/0.8 MM	1	
14		911559	VALVE COVER	1	
15		241271	TAPTITE-SCREW M5X25	2	
16		430220	O-RING 15.9-2.3	1	
17		241220	ADJUSTMENT SCREW	1	
18		664630	SOLENOID VALVE	1	
19		840514	ALLEN SCREW ISO 4762 - M5x16 - 8.8	2	
20		927574	WASHER 5.3 DIN 125	2	
21		842032	LOCK NUT M5-6.6	2	
22		660575	PRESSURE LINE 220 MM	1	
23		866718	TIE WRAP 94x2.5 MM	1	
24		651010	HOSE PACKAGE RAVE CONTROL UNIT	1	
25		956305	IMPULSE NOZZLE Optional	1	



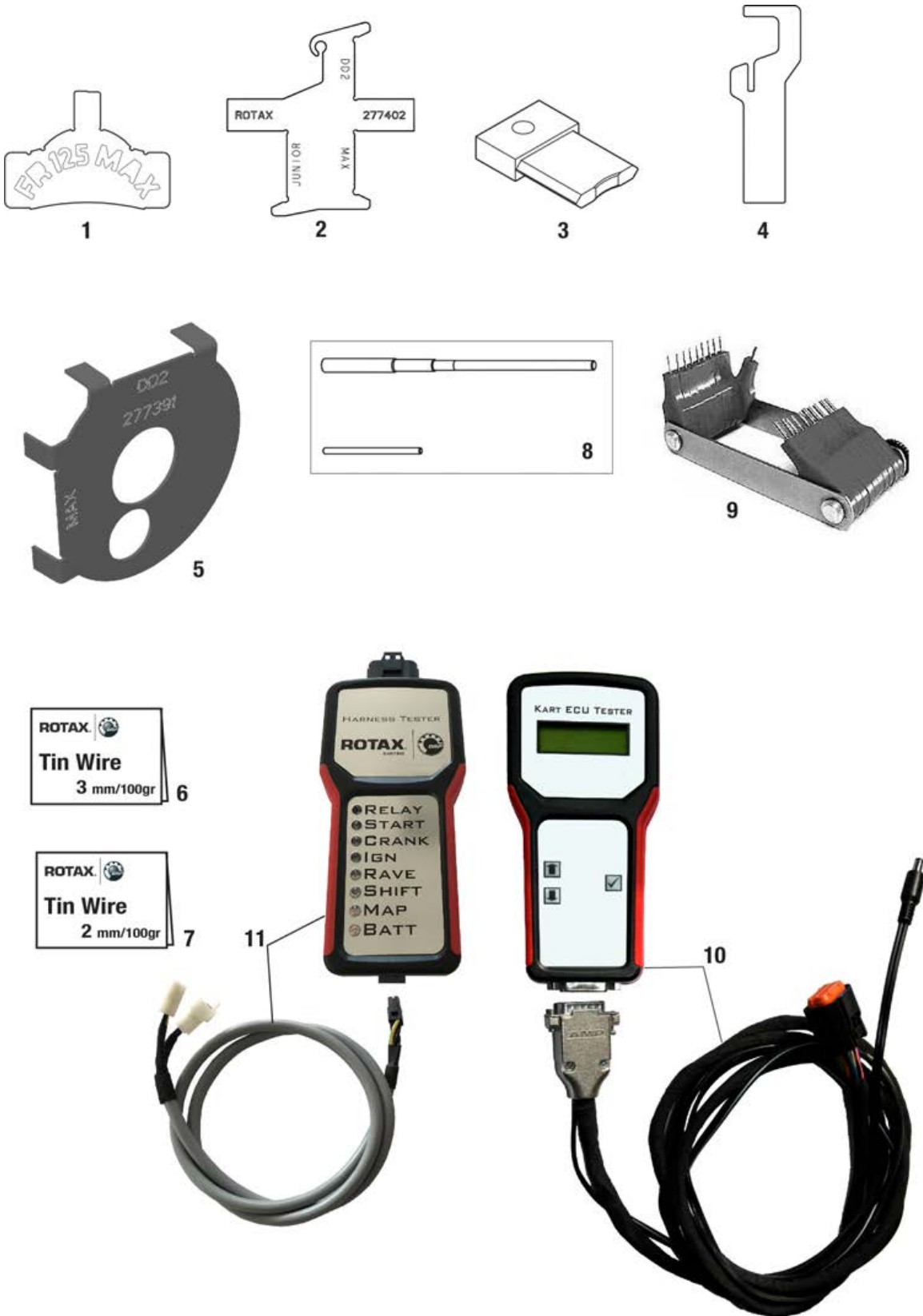
# 15 REPAIR TOOLS



## 15 REPAIR TOOLS

#	NEW	PART#	DESCRIPTION	QTY	CHANGE
1		277381	FIXATION TOOL FOR CRANKSHAFT For blocking the crankshaft	1	
2		676022	INSERTION JIG For oil seal of hollow shaft	1	
3		676030	INSERTION JIG For needle bushing of E-starter	1	
4		676032	INSERTION JIG For slotted spring pin of waterpump impeller	1	
5		676021	INSERTION JIG For oil seals of waterpump shaft	1	
6		676035	INSERTION TOOL For installation of piston pin circlips	1	
7		676202	FIXATION TOOL ASSY. DD2 For blocking the starter gear For engine version no. Diecast	1	
8		877930	TRESTLE SUPPORT	1	
9		676052	FIXING PLATE FOR ENGINE For ROTAX engine types FR 125 MAX / 125 MAX DD2	1	
10		251680	SPRING HOOK For exhaust springs	1	
11		276051	CRANKSHAFT REPAIR JIG	1	
12		276016	PULLER ASSY.	1	
13		276070	ASSEMBLY TOOL BELLOW SPRING EXHAUST V.	1	
14		676110	WRENCH ADAPTER 11/8	1	
15		297041	ROTAX-SEAL WITH BAR CODE With registered serial no. For authorised distributors only	1	
16		276110	ROTAX SEAL CALLIPER For authorised distributors only	1	
17		297240	ENGINE IDENTITY CARD For authorised distributors only	1	

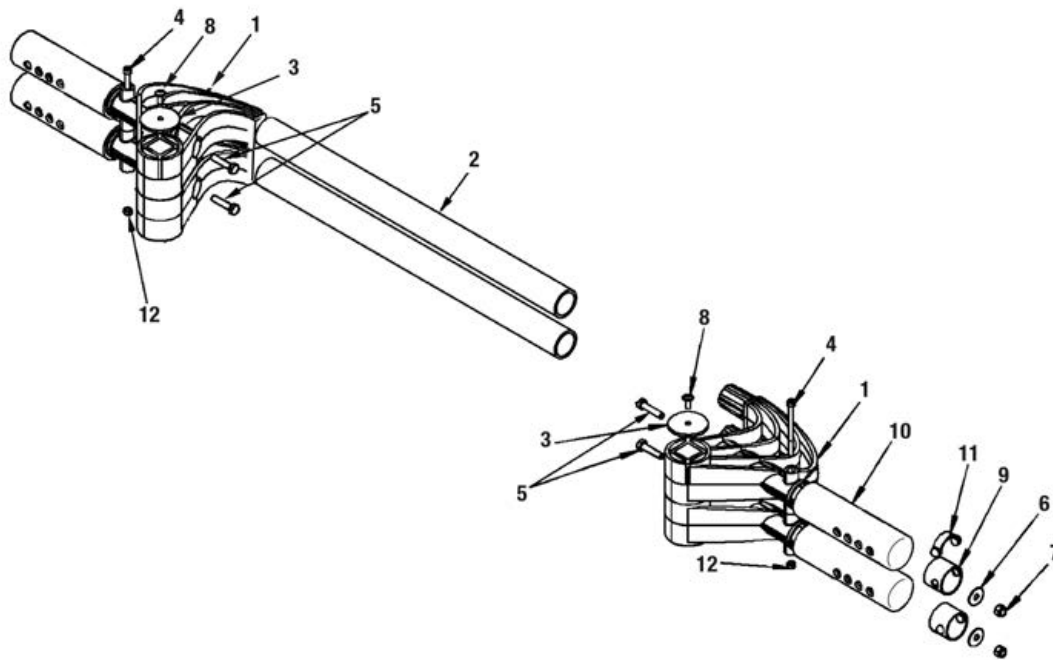
# 16 SCRUTINEERING TOOLS



## 16 SCRUTINEERING TOOLS

#	NEW	PART#	DESCRIPTION	QTY	CHANGE
1		277390	COMBUSTION CHAMBER INSERT TEMPLATE	1	
2		277402	EXHAUST PORT HEIGHT TEMPLATE	1	
3		277030	EXHAUST VALVE GAUGE	1	
4		277400	CONTROL TEMPLATE CARBURETOR VHSB34	1	
5		277391	GAUGE CRANKSHAFT	1	
6		580132	TIN WIRE 3 MM-100 GR	1	
7		580130	TIN WIRE 2 MM-100 GR	1	
8		676034	FITTING MANDREL VENTURI	1	
9		281920	JET GAUGE SET 0.45 - 1.50 MM	1	
10		276230	ECU tester For Dellorto ECU	1	
11		276231	WIRING HARNESS TESTER	1	

# 17 REAR TIRE PROTECTION SYSTEM



## 17 REAR TIRE PROTECTION SYSTEM

#	NEW	PART#	DESCRIPTION	QTY	CHANGE
1		660600	REAR BUMPER	4	
1		281570	REAR TIRE PROTECTION SYSTEM ASSY. MOD.05 Ill.no. 1-12	1	
2		570060	REAR FENDER TUBE 40X3.7X550	2	
3		570120	DISTANCE WASHER 52X4	2	
4		241503	ALLEN SCREW ISO 4762 - M6x80 - 8.8	2	
5		241342	HEX. SCREW ISO 4017 - M8X35 - 10.9	4	
6		627960	WASHER 8/25/1.8	4	
7		942031	LOCK NUT DIN 985-M8-8.8	4	
8		440751	ALLEN SCREW W. ROUNDED FLANGE HEAD M6X16	2	
9		233130	ANTIFRICTION BUSHING	4	
10		570056	TYRE PROTECTION ROLLER 50X4.6X178	4	
11		570080	SPRING ELEMENT	4	
12		842041	LOCK NUT M6 - 6.6	4	

# 18 ACCESSORIES



## 18 ACCESSORIES

#	NEW	PART#	DESCRIPTION	QTY	CHANGE
1	N	276103	DIGITAL TIRE PRESSURE GAUGE	1	
2		581381	DIGITAL HOURMETER ROTAX	1	
3		581385	SYRINGE 60 ML	1	
4		276220	JET HOLDER ROTAX	1	
5		282880	FOLDABLE BOX 430X362X295 INSIDE	1	
6		282885	CORNER PROTECTOR PADS	8	



# 19 SERVICE PRODUCTS



B



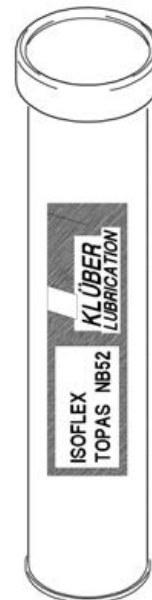
C



E



I



W

## 19 SERVICE PRODUCTS

#	NEW	PART#	DESCRIPTION	QTY	CHANGE
1		897651	LOCTITE 243 BLUE. 10 CC. Illustration letter B	0.01	
2		899788	LOCTITE 648 GREEN. 5 GR. Illustration letter C	0.01	
3		297434	LOCTITE ANTI SEIZE 15378 50 ML. Illustration letter E	0.01	
4		897330	LITHIUM-BASE GREASE. 250 GR.. Illustration letter I	0.01	
5		899564	KLUEBER ISOFLEX TOPAS NB 52 0.4 KG Illustration letter W	0.01	